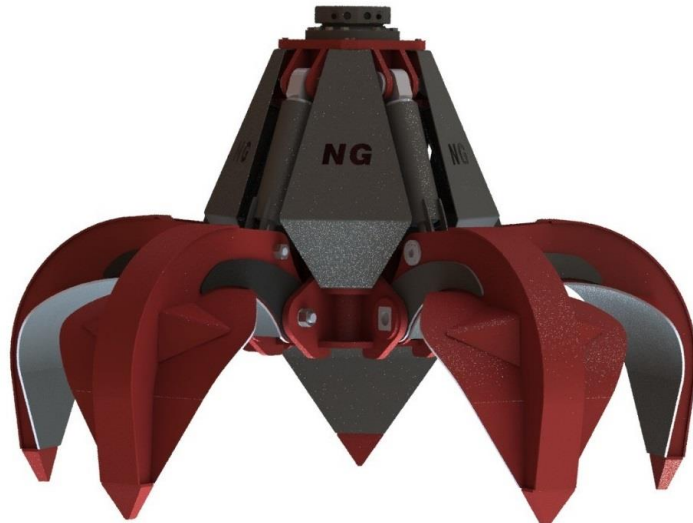


# NG ATTACHMENTS



## ORANGE PEEL SCRAP GRAPPLE



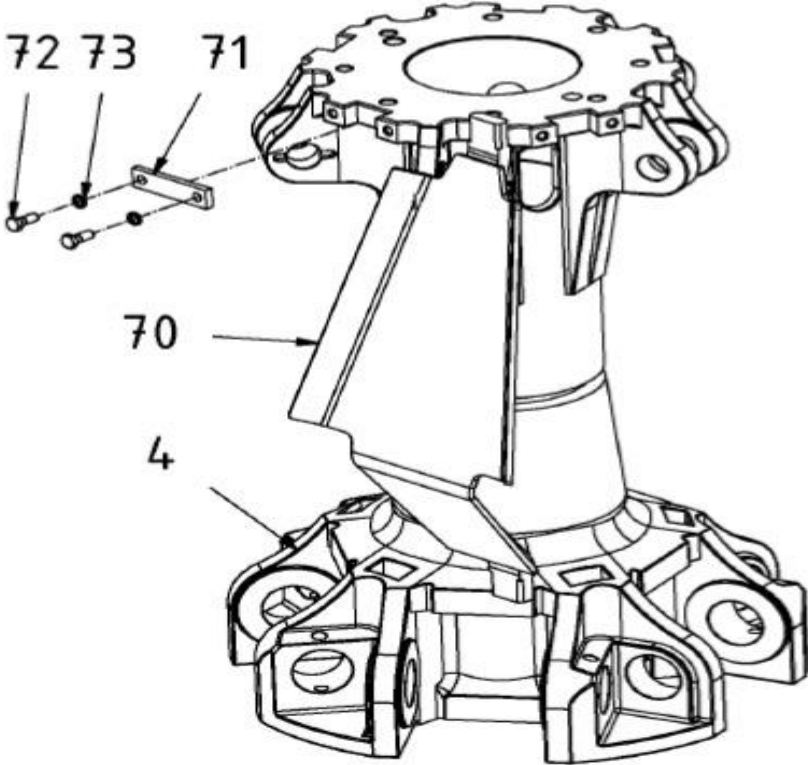
-USER GUIDE-

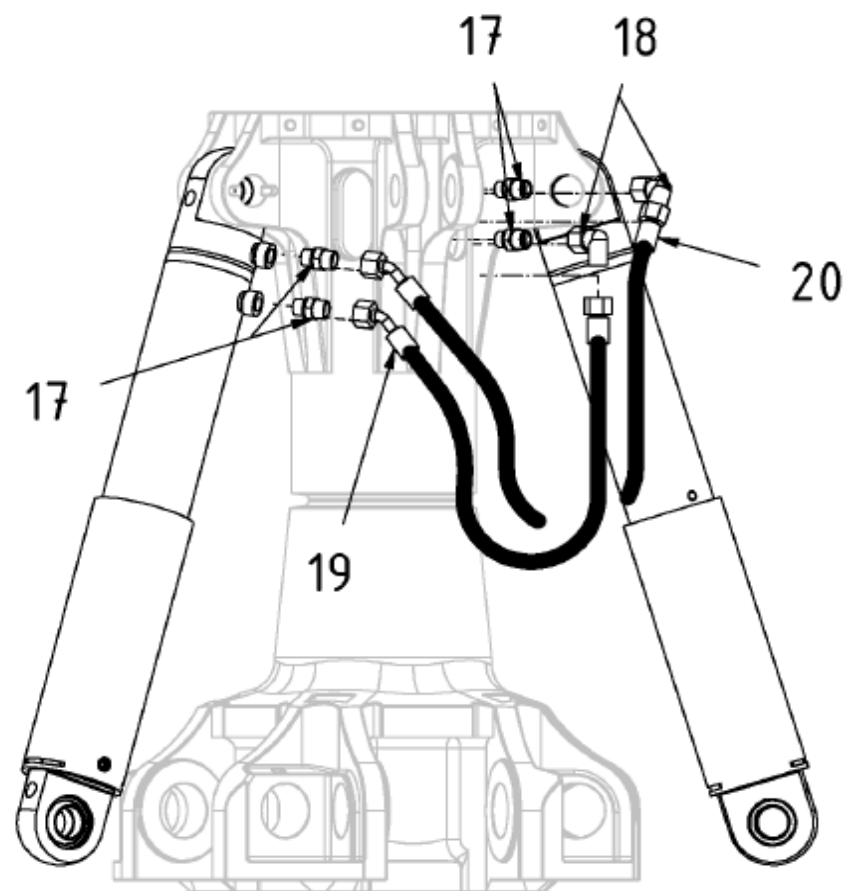
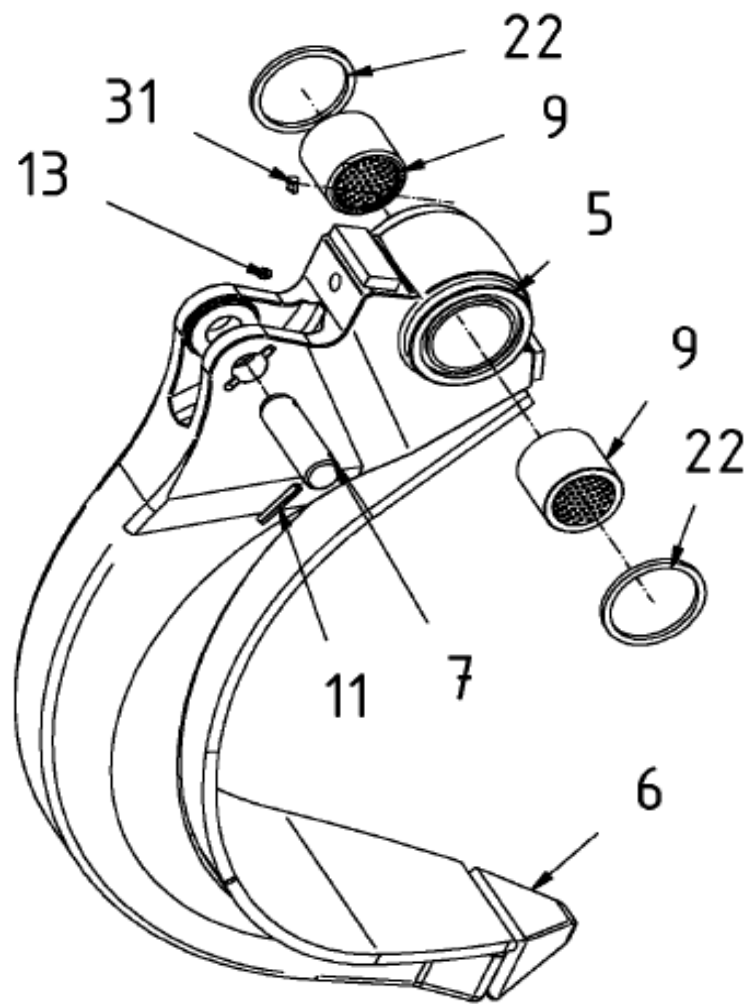
**Maximum Penetration**

Tine angle and tip shape of the NG grapple work together — punching tines into the scrap pile like daggers. A high center contour allows the tines to penetrate deep before the body comes into contact with the pile. Heavy duty cylinders create the clamping force required to penetrate through the pile.

Square footprint of the four-tine grapple lends this configuration to more easily fit inside trucks, containers and rail cars. Four tines are beneficial when handling larger scrap like an automobile. Five-tines provide close tine spacing and good retention of smaller loose material.

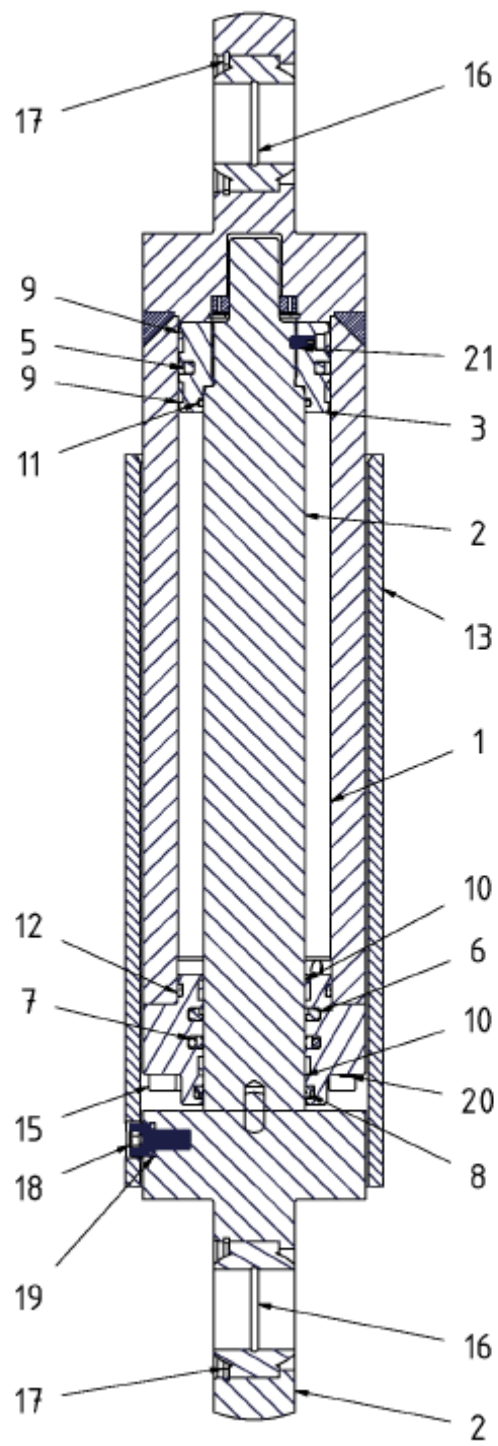
A low profile and short overall height keeps the grapple up high and close to the stick — allowing the operator to reach farther up on the scrap pile





<b>Pos</b>	<b>Qty</b>	<b>Description</b>	<b>Group</b>	<b>Order Number</b>
1	1	Adaptor	E	300400167
2	1	Rotator Complete	E	3007000263
3	1	Oil Manifold		3014000155
4	1	Cross-Brace	F	2002045001
5	1	Shell Set – 400 – open	E	2006045001
	1	Shell Set – 400 – half open	E	2006045002
	1	Shell Set – 400 – half closed	E	2006045003
	1	Casting Shell Set – 600 – open	E	2006045004
	1	Casting Shell Set – 600 – half open	E	2006045005
	1	Casting Shell Set – 600 – half closed	E	2006045006
	1	Shell Set – 800 – open	E	2006045007
	1	Shell Set – 800 – half open	E	2006045008
	1	Shell Set – 800 – half closed	E	2006045009
	1	Shell Set – 1000 – open	E	2006045010
	1	Shell Set – 1000 – half open	E	2006045011
	1	Shell Set – 1000 – half closed	E	2006045012
	1	Shell Set – 1200 – half open	E	2006045025
6	5	Poit Of Bucket	V	5004001202
7	10	Pin Cylinder	V	3009040044
8	5	Pin Piyot	V	3009070044
9	10	Bush	V	5003002603
10	5	Split Pin	V	5001005026
11	10	Notched Pin	V	5001005017
12	10	Split Pin	V	5001004017
13	5	Grease Nippel	A	500300101
14	1	Set of bearing (Pos. 7-13)	S	201304501
15	1	Bush-Adapter		5003002501
16	1	Grease Nippel	A	500300101
17	20	Fitting (E)	A	5002001016
18	10	Fitting (w)	A	5002001042
19	5	Flexible Hose	A	5002010364
20	5	Flexible Hose	A	5002010365
21	1	Hydraulic adapter kit (Pos.19 – 22)	S	2010045001
22	10	Sealing Pivot	A	5002002023

23	9	Screw Adapter Vis	A	5001001201
24	9	Washer	A	5001002063
25	8	Screw Rotator / Cross Brace	A	5001001313
26	8	Washer	A	5001002063
27	4	Pin Connex	A	5001005008
28	5	Screw Oil Manifold – Rotator	A	5001001101
29	5	Washer	A	5001002060
30	2	Ring	A	5002004003
31	6	Protection Cap	A	5003001003
50	5	Cylinder	E	2011045100
70	5	Cover Plate for flexible hose – screwable	E	2009045100
71	5	Assurance Clip		2009045003
72	10	Screw	A	5001001119
73	10	Washer	A	5001002060



<b>Pos</b>	<b>Qty</b>	<b>Description</b>	<b>Group</b>	<b>Order Number</b>
	1	Cylinder	E	2011045100
1	1	Consisting Of Cylinder Tube	E	2011045101
2	1	Piston Rod		2011045102
3	1	Piston	E	2011045103
4	1	Quide Bush	E	2011045104
5	1	Piston Lining	V	5002003008
6	1	Rod Seal	V	5002005032
7	1	Rod Seal	V	5002005033
8	1	Wiper Ring	V	5002007026
9	2	Piston Quide Ring	V	5002003009
10	2	Piston Quid Ring	V	5002006013
11	1	O-Ring Seal	V	5002004084
12	1	Static Seal	V	5002003060
13	1	Protection Tube	E	2011045106
14		Grease Nippel	A	5003001001
15	8	Screw	A	5001001045
16	2	Hinge Bearing	V	5003003036
17	2	Circlips	A	5003004009
18	1	Screw	A	5001001015
19	1	Washer	A	5001002084
20	1	Allen Set Screw	A	5001007007
21	1	Allen Set Screw	A	5001007004
22	1	Sealing Kit (Pos. 5-12)	S	2011045105

A = Exchange part / E = Spare part / S = Set / V = Wear part



### **NG ATTACHMENTS - Equipments**

Phone: +90.312 440 60 34 Fax:+90.312 440 60 76

Adress: Uzayçağı Caddesi 1271 Sok No:49/5 Ostim OSB Ankara / Türkiye

info@nurgroup.com.tr www.ngattachments.com